



PRODUCT DIMENSIONS

DOMESTIC SIZES

Standard Dropln® Sinks

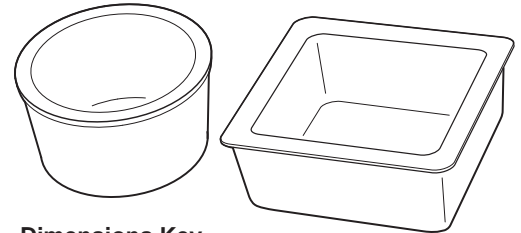
Sink No.	Outlet	Wgt (lb)	Dimensions (in)				
			Inside Bowl			Outlet Location	
			Length	Width	Depth	X	Y
D01C	Center	9	9.0	6.0	5.8	4.5	3.0
D03C	Center	16	12.0	8.0	5.8	6.0	4.0
A05	Corner	18	14.0	10.0	5.0	3.5	3.5
D05	Corner	22	14.0	10.0	6.2	3.5	3.5
D05C	Center	24	14.0	10.0	6.2	7.0	5.0
D10	End	20	16.0	8.0	6.8	4.5	4.0
D10C	Center	22	16.0	8.0	6.8	8.0	4.0
D15	Corner	30	16.0	12.0	8.0	3.5	3.5
D15C	Center	31	16.0	12.0	8.0	8.0	6.0
D19	Corner	42	16.0	16.0	9.6	3.5	3.5
D20	Corner	32	16.0	16.0	7.5	3.5	3.5
D22C	Center	30	18.0	6.5	6.8	9.0	3.3
D24C	Center	30	18.0	14.0	10.5	9.0	6.8
A25	Corner	35	18.0	15.0	5.0	3.5	3.5
D25	Corner	39	18.0	15.0	7.9	3.5	3.5
D30	Corner	53	18.0	15.0	11.0	3.5	3.5
D30C	Center	50	18.0	15.0	10.8	9.0	7.5
D33E	End	59	21.0	17.0	9.8	4.5	8.5
D45	Corner	64	21.5	15.5	11.0	3.5	3.5
D50C	Center	48	24.0	16.0	8.0	12.0	8.0
D52	Corner	77	24.0	18.0	11.0	3.5	3.5
A55	Corner	47	25.0	15.0	4.8	3.5	3.5
D55	Corner	61	25.0	15.0	10.0	3.5	3.5
D59	Corner	61	28.0	15.0	11.8	3.5	3.5
DRS12	Center	18	12.0	Round	7.8	Center	



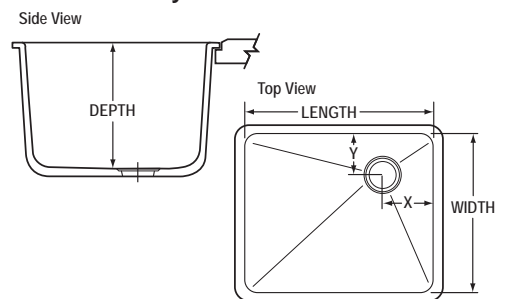
ADA compliant sinks are designated by this symbol.

All Dimensions are nominal and may vary by manufacturing location.
Cutsheets available upon request.

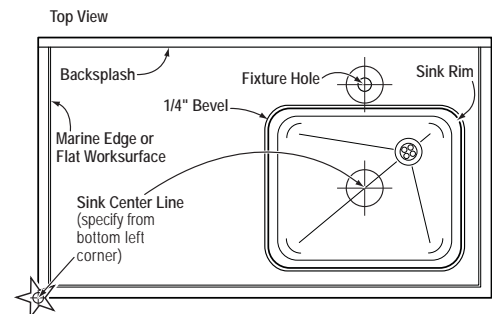
Dropln® Sink Styles



Dimensions Key



Installation Detail

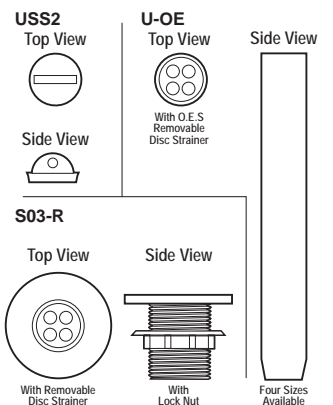


Sink Outlets & Accessories

Part No.	Description	Color Availability							Dimensions (in)				
		Black Onyx	Gray	Graphite	Forest Green	Steel Blue	Tan	Alpine White	Palo Duro	Table Rock	Inside Pipe/Outlet Diameter	Outside Rim Diameter	Length
Polypropylene													
S03-R	Sink Outlet*	✓	✓	—	—	—	—	✓	—	—	1.4	3.3	3.0
USS2	Sink Stopper	✓	—	—	—	—	—	—	—	—	—	1.4	—
U-OE	Open End Overflow	✓	—	—	—	—	—	—	—	—	—	1.4	4, 6, 8, 10
O.E.S.	U-OE Strainer Cap	✓	—	—	—	—	—	—	—	—	—	1.4	—
Epoxy Resin													
S03	Sink Outlet*	—	—	✓	✓	✓	✓	—	—	—	1.4	3.3	3.0

*A plastic disc strainer is included with each sink outlet.

Outlets & Accessories





PRODUCT DIMENSIONS

DOMESTIC SIZES

Standard Undermount, End & Wall Sinks

Sink No.	Outlet	Wgt (lb)	Dimensions (in)				
			Inside Bowl			Outlet	
			Length	Width	Depth	X	Y
U03C	Center	17	12.0	8.0	6.0	6.0	4.0
U05C	Center	22	14.0	10.0	6.0	7.0	5.0
U10C	Center	22	16.0	8.0	7.0	8.0	4.0
U10E	End	22	16.0	8.0	7.0	3.5	4.0
U15C	Center	34	16.0	12.0	8.0	8.0	6.0
U15E	End	34	16.0	12.0	8.0	4.5	6.0
U20	Corner	39	16.0	16.0	7.5	4.0	12.0
U22C	Center	22	18.0	6.5	6.0	9.0	3.3
U24C	Center	38	18.0	14.0	10.5	9.0	7.0
U25	Corner	40	18.0	15.0	8.0	3.5	3.5
U30	Corner	49	18.0	15.0	11.0	3.5	3.5
U30C	Center	49	18.0	15.0	11.0	9.0	7.5
U33E	End	64	21.0	17.0	10.0	4.5	8.6
U35E	End	61	21.0	18.0	10.0	4.5	9.0
U40	Corner	47	21.3	15.5	7.0	4.0	4.0
U45	Corner	64	21.5	15.5	11.0	4.0	4.0
U50C	Center	54	24.0	16.0	8.0	12.0	8.0
U52E	End	77	23.6	17.6	10.8	4.0	9.0
U53E	End	85	24.4	18.4	16.8	4.3	9.3
U55	Corner	60	25.0	15.0	10.0	3.5	3.5
U56C	Center	76	24.0	16.0	12.0	12.0	8.0
U59E	End	65	28.0	15.0	12.0	11.5	7.5
U63E	End	75	31.0	17.0	10.0	4.0	8.5
RS05C	Center	21	11.9	Round	7.5	Center	

End & Wall Sinks With Integral Backsplash

Sink No.	Outlet	Wgt (lb)	Inside Bowl			Backsplash Height (in)
			Length	Width	Depth	
E46	Front	70	22.0	13.6	12.6	3.8
E47	Front	73	22.0	13.6	12.6	5.8

All Dimensions are nominal. Exterior dimensions vary by manufacturing location. Cutsheets available upon request.

Undermount Sink Styles

Dimensions Key

Installation Detail

Sink Outlets & Accessories

Part No.	Description	Color Availability								Dimensions (in)		
		Black Onyx	Gray	Graphite	Forest Green	Steel Blue	Tan	Alpine White	Palo Duro	Table Rock	Inside Pipe/Outlet Diameter	Outside Rim Diameter
Polypropylene												
S03-R	Sink Outlet*	✓	✓	—	—	—	—	—	—	1.4	3.3	3.0
USS2	Sink Stopper	✓	—	—	—	—	—	—	—	—	1.4	—
U-OE	Open End Overflow	✓	—	—	—	—	—	—	—	—	1.4	4, 6, 8, 10
O.E.S.	U-OE Strainer Cap	✓	—	—	—	—	—	—	—	—	1.4	—
Epoxy Resin												
S03	Sink Outlet*	—	—	✓	✓	✓	—	—	—	1.4	3.3	3.0

*A plastic disc strainer is included with each sink outlet.

Outlets & Accessories



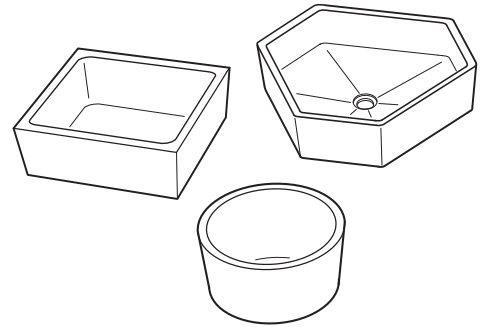
PRODUCT DIMENSIONS

DOMESTIC SIZES

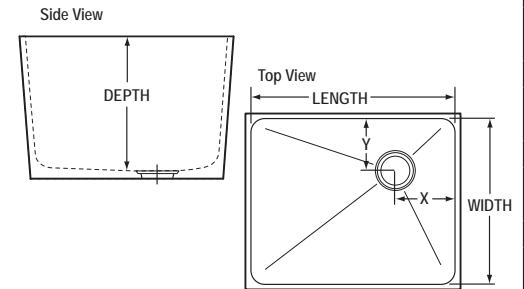
Special Order Undermount Sinks

Sink No.	Outlet	Wgt (lb)	Dimensions (in)				
			Inside Bowl			Outlet	
			Length	Width	Depth	X	Y
U02C**	Center	16	12.0	6.0	6.0	3.0	6.0
U04C*	Center	18	12.0	6.0	7.0	6.0	3.0
U08C*	Center	25	12.0	12.0	8.0	6.0	6.0
U16**	Center	36	15.8	13.8	7.9	6.9	7.9
U23C*	Center	54	16.0	16.0	12.0	8.0	8.0
U32**	Corner	82	18.8	18.0	21.1	4.3	5.9
U34**	Center	55	20.0	20.0	12.0	10.0	10.0
U43**	Center	35	22.5	10.5	7.4	5.3	11.3
U49	Corner	68	22.0	14.5	10.6	4.0	3.5
U51E	End	59	24.0	16.0	10.0	4.5	8.0
U54*	Corner	95	23.0	21.0	19.1	6.5	16.0
U58E*	End	56	27.8	14.8	8.0	7.5	11.5
U60E*	End	83	28.0	20.0	8.8	14.0	6.5
U61**	Center	141	30.0	18.0	18.0	9.0	15
U62**	Center	100	35.5	19.6	10.0	17.8	9.8
U64**	Center	95	31.0	21.0	12.0	10.5	15.5
U65C*	Center	100	35.5	19.6	10.0	9.8	17.8
U66C*	Center	110	35.7	19.7	12.0	9.9	17.9
U67**	Center	118	36.0	20.0	16.0	10.0	18.0
U71C*	Center	108	43.0	15.0	11.0	7.5	21.5
U72C	Center	179	43.3	15.3	16.0	7.7	21.7
U73*	Corner	150	38.0	21.0	19.1	15.8	5.25
U75C*	Center	126	42.0	20.0	10.0	10.0	21.0
U77**	Center	212	42.5	20.1	16.0	10.1	21.3
U81E*	End	100	48.8	24.6	5.6	4.0	12.2
RS10C*	Center	37	19.5	Round	8.5	Center	
H20C*	Center	82	30.0	Hexagon	6.9	Center	

Undermount Sink Styles



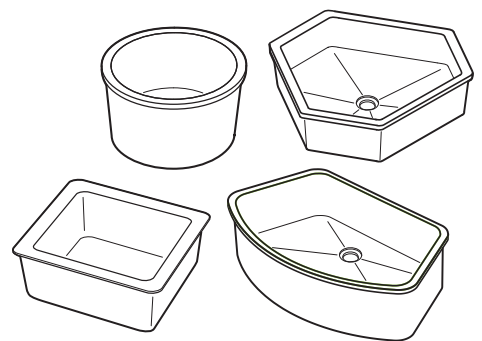
Dimensions Key



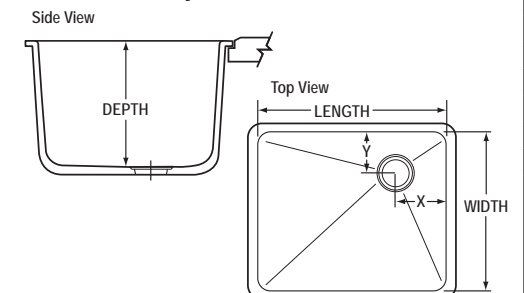
Special Order DropIn Sinks

Sink No.	Outlet	Wgt (lb)	Dimensions (in)				
			Inside Bowl			Outlet Location	
			Length	Width	Depth	X	Y
D06*	Center	34	12.0	12.0	12.0	6.0	6.0
A07*	Corner	24	14.0	14.0	5.0	3.5	3.5
D08*	Corner	25	15.0	8.0	6.0	3.5	3.5
D09*	Corner	25	15.0	8.0	10.8	3.5	3.5
D21*	Corner	58	16.0	16.0	15.0	3.5	3.5
A26*	Corner	39	18.0	15.0	5/11	4.5	5.5
D32	Corner	49	18.0	15.0	15.8	3.5	3.5
D51*	Corner	60	24.0	16.0	9.6	3.5	3.5
D54*	Corner	45	25.0	15.0	8.0	3.5	3.5
D57*	Corner	71	25.0	15.0	13.6	3.5	3.5
D58*	Corner	79	25.0	15.0	17.8	3.5	3.5
D61	End	94	30.0	16.0	17.8	4.5	7.5
D65C*	Center	98	35.5	19.5	9.8	17.8	9.8
D68**	End	70	30.0	16.0	10.0	8.0	4.75
D70C*	Center	95	24.0	16.0	15.5	8.0	12.0
D100**	Center	29	22.5	Hexagon	5.0	Center	
D200**	End	64	30.9	Hexagon	7.0	15.5	8.0
DRS10*	Center	14	10.0	Round	7.8	Center	
DHC20*	Center	82	30.0	Hexagon	7.0	Center	
D99*	End	56	32.0	Semi-Circle	10.0	11.5	4.5

DropIn® Sink Styles



Dimensions Key



All sinks are available at both plants unless otherwise noted:

* Available only from Taylor, TX, plant (colors: Black Onyx, Gray, Graphite, Tan, Forest Green and Steel Blue).

** Available only from Canton, MI, plant (colors: Black Onyx, Gray and Alpine White)

♿ ADA compliant sinks are designated by this symbol.

All Dimensions are nominal. Exterior dimensions vary by manufacturing location. Cutsheets available upon request.



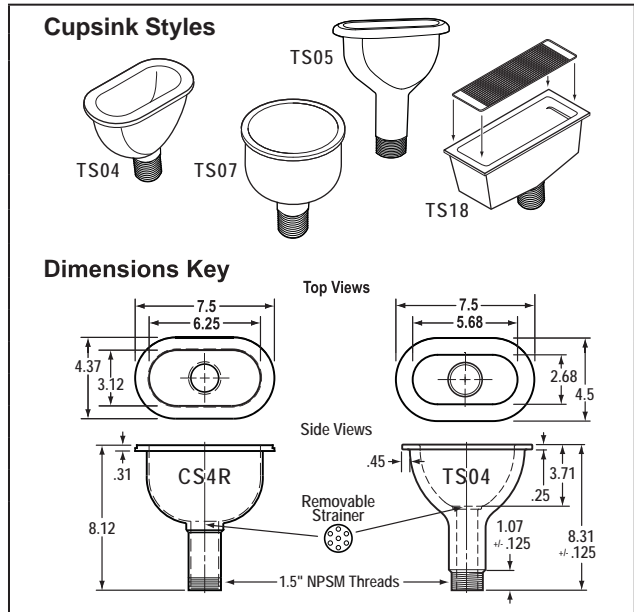
PRODUCT DIMENSIONS

DOMESTIC SIZES

Cupsinks

Cupsink No.	Shape	Color Availability						Dimensions (in)				
		Black Onyx	Gray	Graphite	Forest Green	Steel Blue	Tan	Alpine White	Inside			Outside
									Length	Width	Depth	Height
Standard Polypropylene Cupsinks												
CS4R	Oval	✓	✓	—	—	—	—	✓	6.3	3.1	4.0	8.1
Special Epoxy Resin Cupsinks												
TS04*	Oval	—	—	✓	✓	✓	✓	—	5.7	2.7	3.7	8.3
TS05**	Oval	✓	✓	✓	✓	✓	✓	—	5.7	2.8	3.7	9.1
TS12	Oval	✓	✓	✓	✓	✓	✓	✓	8.8	2.7	5.8	10.0
TS15*	Oval	✓	✓	✓	✓	✓	✓	—	10.8	3.0	5.3	9.6
TS18***	Rectangle	✓	✓	✓	✓	✓	✓	✓	13.6	4.4	5.4	9.9
TS07	Round	✓	✓	✓	✓	✓	✓	✓	6.0	6.0	6.0	11.4
TS09*	Round	✓	✓	✓	✓	✓	✓	—	8.0	8.0	6.0	9.5

* Available only from Taylor, TX plant.
 ** Raised Rim Cupsink for containing hazardous spills on the worksurface. Taylor, TX plant only.
 *** TS18 includes a #316 Monel Stainless Steel Screen.
 All Dimensions are nominal and may vary by manufacturing location. Cutsheets available upon request.



Troughs

Trough No.	Outlet	Wgt (lb)	Dimensions (in)					
			Inside			Outlet		
			Length	Width	Depth D1	Depth D2	X	Y
Two Section Open-End Troughs								
T3-1	As Required	48	72.0	3.9	3.8	4.5	N/A	N/A
T3-2	As Required	48	72.0	3.9	3.1	3.8	N/A	N/A
Three Section Open-End Troughs								
T1-1	As Required	48	72.0	6.6	3.8	4.5	N/A	N/A
T1-2	As Required	48	72.0	6.6	3.0	3.8	N/A	N/A
T1-3	As Required	48	72.0	6.6	2.3	3.0	N/A	N/A
DropIn Troughs								
DT36*	Off-Center	29	34.5	6.4	3.6	13.4	3.2	
DT48*	Off-Center	39	46.6	6.4	3.5	19.4	3.2	
Undermount Troughs								
UT-42*	Off-Center	38	40.5	6.6	4.6	20.8	3.3	
UT-52	Off-Center	55	51.0	9.0	4.3	30.3	4.5	
UT-53*	Off-Center	54	50.4	7.4	3.9	31.9	3.7	

* Available only from Taylor, TX plant (colors: Black Onyx, Gray, Graphite, Tan, Forest Green and Steel Blue).
 All Dimensions are nominal and may vary by manufacturing location. Cutsheets available upon request.

