



PRODUCT DIMENSIONS

INTERNATIONAL SIZES

Standard Dropln® Sinks

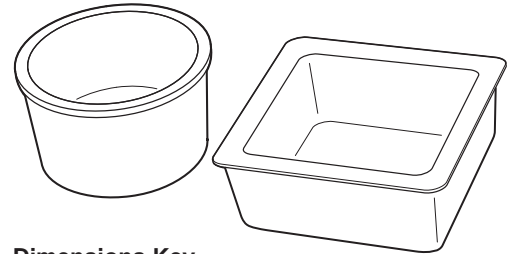
Sink No.	Outlet	Wgt (kg)	Dimensions (mm)				
			Inside Bowl			Outlet Location	
			Length	Width	Depth	X	Y
D01C	Center	4	229	152	147	114	76
D03C	Center	7	305	203	147	152	102
A05	Corner	8	356	254	127	89	89
D05	Corner	10	356	254	157	89	89
D05C	Center	11	356	254	157	178	127
D10	End	9	406	203	173	114	102
D10C	Center	10	406	203	173	203	102
D15	Corner	14	406	305	203	89	89
D15C	Center	14	406	305	203	203	152
D19	Corner	19	406	406	244	89	89
D20	Corner	15	406	406	191	89	89
D22C	Center	14	457	165	173	229	84
D24	Center	14	457	356	267	229	178
A25	Corner	16	457	381	127	89	89
D25	Corner	18	457	381	201	89	89
D30	Corner	24	457	381	279	89	89
D30C	Center	23	457	381	274	229	191
D33E	End	27	533	432	249	114	216
D45	Corner	29	546	394	279	89	89
D50C	Center	22	610	406	203	305	203
D52	Corner	35	610	457	279	89	89
A55	Corner	21	635	381	122	89	89
D55	Corner	28	635	381	254	89	89
D59	Corner	28	711	381	300	89	89
DRS12	Center	8	305	Round	198	Center	



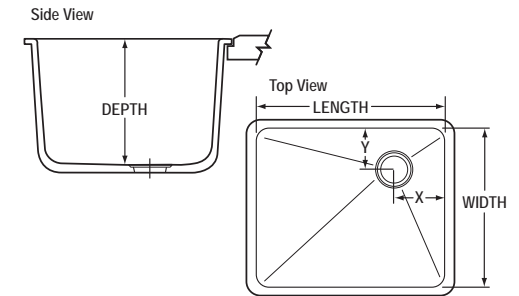
ADA compliant sinks are designated by this symbol.

All Dimensions are nominal and may vary by manufacturing location.
Cutsheets available upon request.

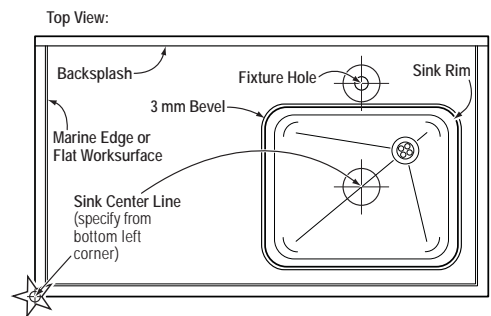
Dropln® Sink Styles



Dimensions Key



Installation Detail

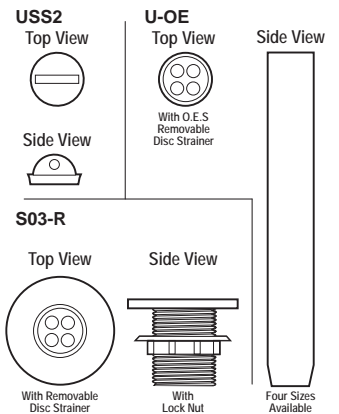


Sink Outlets & Accessories

Part No.	Description	Color Availability							Dimensions (mm)				
		Black Onyx	Gray	Graphite	Forest Green	Steel Blue	Tan	Alpine White	Palo Duro	Table Rock	Inside Pipe/Outlet Diameter	Outside Rim Diameter	Length
Polypropylene													
SO3-R	Sink Outlet*	✓	✓	—	—	—	—	✓	—	—	36	84	71
USS2	Sink Stopper	✓	—	—	—	—	—	—	—	—	—	36	—
U-OE	Open End Overflow	✓	—	—	—	—	—	—	—	—	—	36	102, 152, 203, 254
O.E.S.	U-OE Strainer Cap	✓	—	—	—	—	—	—	—	—	—	36	—
Epoxy Resin													
SO3	Sink Outlet*	—	—	✓	✓	✓	✓	—	—	—	36	84	71

*A plastic disc strainer is included with each sink outlet.

Outlets & Accessories





PRODUCT DIMENSIONS

INTERNATIONAL SIZES

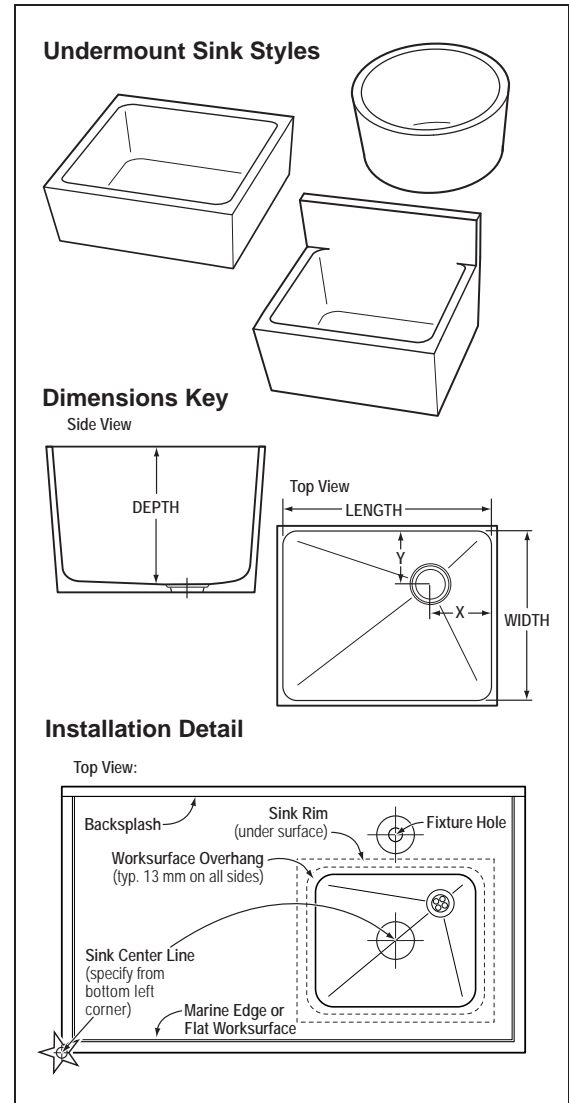
Standard Undermount, End & Wall Sinks

Sink No.	Outlet	Wgt (kg)	Dimensions (mm)				
			Inside Bowl			Outlet	
			Length	Width	Depth	X	Y
U03C	Center	17	305	203	152	152	102
U05C	Center	22	356	254	152	178	127
U10C	Center	22	406	203	178	203	102
U10E	End	22	406	203	178	89	102
U15C	Center	34	406	305	203	203	152
U15E	End	34	406	305	203	114	152
U20	Corner	39	406	406	191	102	305
U22C	Center	22	457	165	152	229	84
U24C	Center	38	457	356	267	229	178
U25	Corner	40	457	381	203	89	89
U30	Corner	49	457	381	279	89	89
U30C	Center	49	457	381	279	229	191
U33E	End	64	533	432	254	114	218
U35E	End	61	533	457	254	114	229
U40	Corner	47	541	394	178	102	102
U45	Corner	64	546	394	279	102	102
U50C	Center	54	610	406	203	305	203
U52E	End	77	599	447	274	102	229
U53E	End	85	620	467	427	109	236
U55	Corner	60	635	381	254	89	89
U56C	Center	76	610	406	305	305	203
U59E	End	65	711	381	305	292	191
U63E	End	75	787	432	254	102	216
RS05C	Center	10	302	Round	191	Center	

End & Wall Sinks With Integral Backsplash

Sink No.	Outlet	Wgt (kg)	Inside Bowl			Backsplash Height (mm)
			Length	Width	Depth	
E46	Front	32	559	345	320	97
E47	Front	33	559	345	320	137

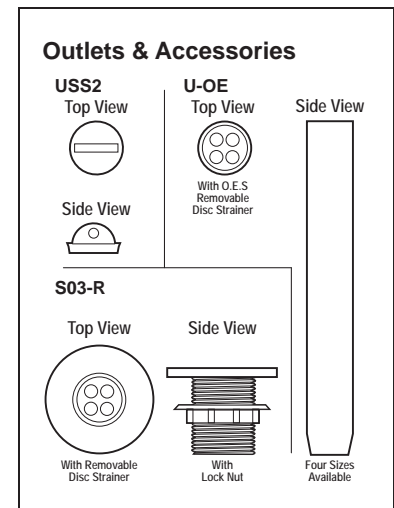
All Dimensions are nominal. Exterior dimensions vary by manufacturing location. Cutsheets available upon request.



Sink Outlets & Accessories

Part No.	Description	Color Availability								Dimensions (mm)		
		Black Onyx	Gray	Graphite	Forest Green	Steel Blue	Tan	Alpine White	Palo Duro	Table Rock	Inside Pipe/Outlet Diameter	Outside Rim Diameter
Polypropylene												
S03-R	Sink Outlet*	✓	✓	—	—	—	—	—	—	36	84	71
USS2	Sink Stopper	✓	—	—	—	—	—	—	—	—	36	—
U-OE	Open End Overflow	✓	—	—	—	—	—	—	—	—	36	102, 152, 203, 254
O.E.S.	U-OE Strainer Cap	✓	—	—	—	—	—	—	—	—	36	—
Epoxy Resin												
S03	Sink Outlet*	—	—	✓	✓	✓	✓	—	—	36	84	71

*A plastic disc strainer is included with each sink outlet.



WWW.DURCON.COM

206 Allison Drive • Taylor, TX 76574 • Phone: 512.595.8000 • Fax: 512.595.8400 • E-mail: sales@durcon.com



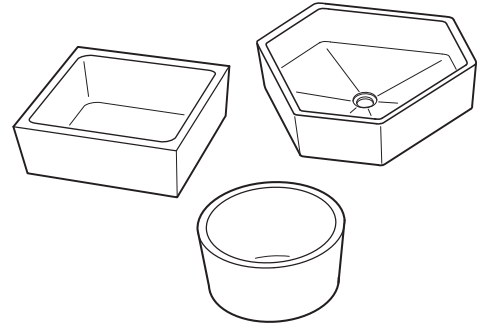
PRODUCT DIMENSIONS

INTERNATIONAL SIZES

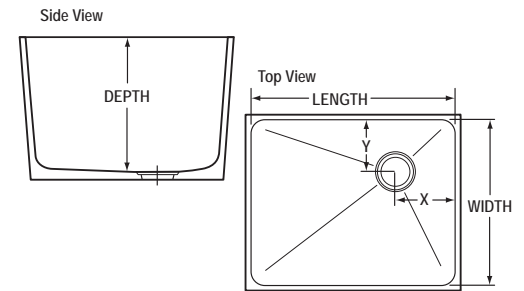
Special Order Undermount Sinks

Sink No.	Outlet	Wgt (kg)	Dimensions (mm)				
			Inside Bowl			Outlet	
			Length	Width	Depth	X	Y
U02C**	Center	7	305	152	152	76	152
U04C*	Center	8	305	152	178	152	76
U08C*	Center	11	305	305	203	152	152
U16**	Center	16	401	351	201	175	201
U23C*	Center	24	406	406	305	203	203
U32**	Corner	37	478	457	536	109	150
U34**	Center	25	508	508	305	254	254
U43**	Center	16	572	267	188	135	287
U49	Corner	31	559	368	269	102	89
U51E*	End	27	610	406	254	114	203
U54*	Corner	43	584	533	485	165	406
U58E*	End	25	706	376	203	191	292
U60E*	End	38	711	508	224	356	165
U61**	Center	64	762	457	457	229	381
U62**	Center	45	902	498	254	452	249
U64**	Center	43	787	533	305	267	394
U65C*	Center	45	902	498	254	249	452
U66C*	Center	50	907	500	305	251	455
U67**	Center	54	914	508	406	254	457
U71C*	Center	49	1092	381	279	191	546
U72C	Center	81	1100	389	406	196	551
U73*	Corner	68	965	533	485	401	133
U75C*	Center	57	1067	508	254	254	533
U77**	Center	96	1080	511	406	257	541
U81E*	End	45	1240	625	142	102	310
RS10C*	Center	17	495	Round	216	Center	
H20C*	Center	37	762	Hexagon	175	Center	

Undermount Sink Styles



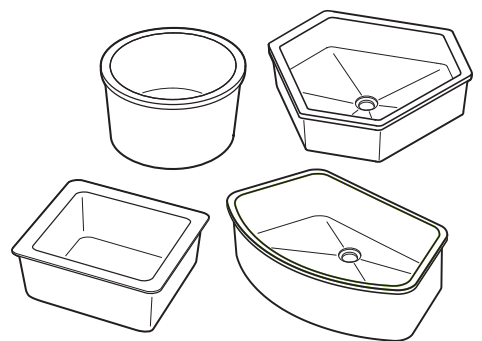
Dimensions Key



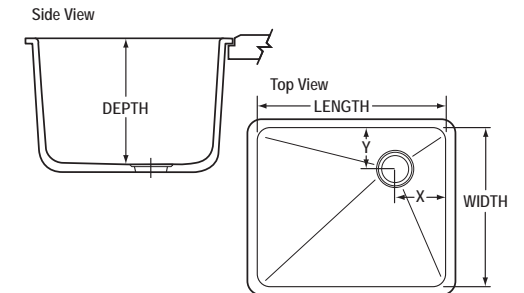
Special Order DropIn Sinks

Sink No.	Outlet	Wgt (kg)	Dimensions (mm)				
			Inside Bowl			Outlet Location	
			Length	Width	Depth	X	Y
D06*	Center	15	305	305	305	152	152
A07*	Corner	11	356	356	127	89	89
D08*	Corner	10	381	203	152	89	89
D09*	Corner	11	381	203	274	89	89
D21*	Corner	26	406	406	381	89	89
A26*	Corner	18	457	381	127/279	89	140
D32	Corner	22	457	381	401	89	89
D51*	Corner	27	610	406	244	89	89
D54*	Corner	20	635	381	203	89	89
D57*	Corner	32	635	381	345	89	89
D58*	Corner	36	635	381	452	89	89
D61	End	43	762	406	452	114	191
D65C*	Center	44	902	495	249	452	249
D68**	End	32	462	406	254	203	121
D70C*	Center	43	610	406	394	203	305
D100**	Center	13	572	Hexagon	127	Center	
D200**	End	29	785	Hexagon	178	394	203
DRS10*	Center	6	254	Round	198	Center	
DHC20**	Center	37	762	Hexagon	178	Center	
D99*	End	26	813	Semi-Circle	254	292	114

DropIn® Sink Styles



Dimensions Key



All sinks are available at both plants unless otherwise noted:

* Available only from Taylor, TX, plant (colors: Black Onyx, Gray, Graphite, Tan, Forest Green and Steel Blue).

** Available only from Canton, MI, plant (colors: Black Onyx, Gray and Alpine White)

♿ ADA compliant sinks are designated by this symbol.

All Dimensions are nominal. Exterior dimensions vary by MFG location. Cutsheets available upon request.

WWW.DURCON.COM

206 Allison Drive • Taylor, TX 76574 • Phone: 512.595.8000 • Fax: 512.595.8400 • E-mail: sales@durcon.com



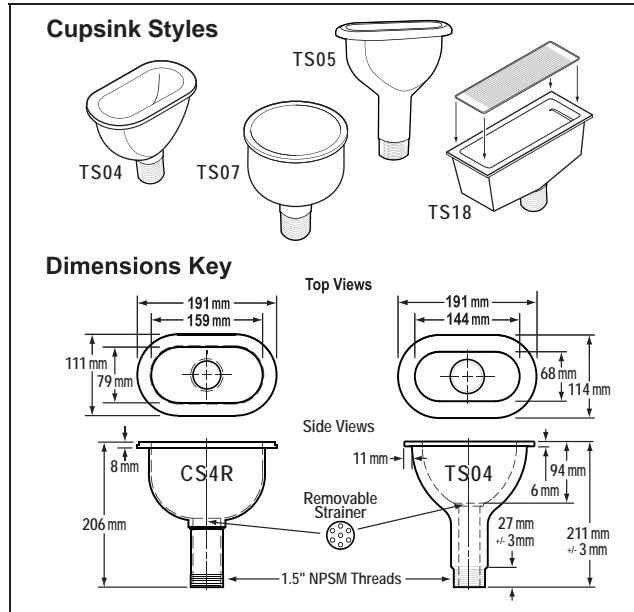
PRODUCT DIMENSIONS

INTERNATIONAL SIZES

Cupsinks

Cupsink No.	Shape	Color Availability						Dimensions (mm)				
		Black Onyx	Gray	Graphite	Forest Green	Steel Blue	Tan	Alpine White	Inside			Outside
									Length	Width	Depth	Height
Standard Polypropylene Cupsinks												
CS4R	Oval	✓	✓	—	—	—	—	✓	145	69	94	211
Special Epoxy Resin Cupsinks												
TS04*	Oval	—	—	✓	✓	✓	✓	—	145	69	94	211
TS05**	Oval	✓	✓	✓	✓	✓	✓	—	145	71	94	231
TS12	Oval	✓	✓	✓	✓	✓	✓	✓	224	69	147	254
TS15*	Oval	✓	✓	✓	✓	✓	✓	—	274	76	135	244
TS18***	Rectangle	✓	✓	✓	✓	✓	✓	✓	345	112	137	251
TS07	Round	✓	✓	✓	✓	✓	✓	✓	152	152	152	290
TS09*	Round	✓	✓	✓	✓	✓	✓	—	203	203	152	241

* Available only from Taylor, TX plant.
 ** Raised Rim Cupsink for containing hazardous spills on the worksurface. Taylor, TX plant only.
 *** TS18 includes a #316 Monel Stainless Steel Screen.
 All Dimensions are nominal and may vary by manufacturing location. Cutsheets available upon request.



Troughs

Trough No.	Outlet	Wgt (kg)	Dimensions (mm)					
			Inside				Outlet	
			Length	Width	Depth		X	Y
D1	D2							
Two Section Open-End Troughs*								
T3-1	As Required	22	1829	98	95	114	N/A	N/A
T3-2	As Required	22	1829	98	78	95	N/A	N/A
Three Section Open-End Troughs*								
T1-1	As Required	22	1829	168	96	115	N/A	N/A
T1-2	As Required	22	1829	168	77	96	N/A	N/A
T1-3	As Required	22	1829	168	58	77	N/A	N/A
DropIn Troughs								
DT36	Off-Center	13	876	163	91	340	81	
DT48	Off-Center	18	1184	163	89	493	81	
Undermount Troughs								
UT-42	Off-Center	17	1029	168	118	528	84	
UT-52	Off-Center	25	1295	229	108	770	114	
UT-53	Off-Center	24	1280	194	99	810	94	

* Sectional Troughs ship in pieces for assembly at the job site. A separate undermount support (supplied by others) is required for each section.

