



PRODUCT DIMENSIONS

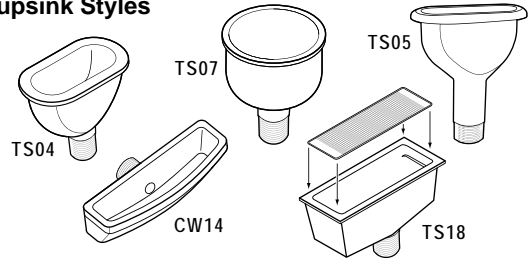
DOMESTIC SIZES

Cupsinks

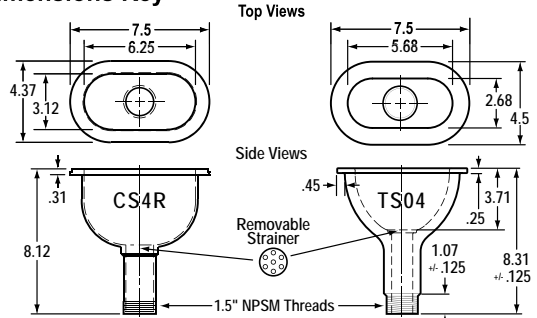
Cupsink No.	Shape	Color Availability						Dimensions (in)				
		Black Onyx	Gray	Graphite	Forest Green	Steel Blue	Tan	Alpine White	Inside			Outside
									Length	Width	Depth	Height
Standard Polypropylene Cupsinks												
CS4R	Oval	✓	✓	—	—	—	—	✓	6.3	3.1	4.0	8.1
Special Epoxy Resin Cupsinks												
TS04*	Oval	—	—	✓	✓	✓	—	—	5.7	2.7	3.7	8.3
TS05**	Oval	✓	✓	✓	✓	✓	—	—	5.7	2.8	3.7	9.1
TS12	Oval	✓	✓	✓	✓	✓	✓	—	8.8	2.7	5.8	10.0
TS15*	Oval	✓	✓	✓	✓	✓	—	—	10.8	3.0	5.3	9.6
TS18***	Rectangle	✓	✓	✓	✓	✓	✓	—	13.6	4.4	5.4	9.9
TS07	Round	✓	✓	✓	✓	✓	✓	—	6.0	6.0	6.0	11.4
TS09*	Round	✓	✓	✓	✓	✓	—	—	8.0	8.0	6.0	9.5
WS14*	Wallmount	✓	✓	✓	✓	✓	—	—	11.0	3.0	4.0	5.0

* Available only from Taylor, TX plant.
 ** Raised Rim Cupsink for containing hazardous spills on the worksurface. Taylor, TX plant only.
 *** TS18 includes a #316 Monel Stainless Steel Screen.
 All Dimensions are nominal and may vary by manufacturing location. Cutsheets available upon request.

Cupsink Styles



Dimensions Key

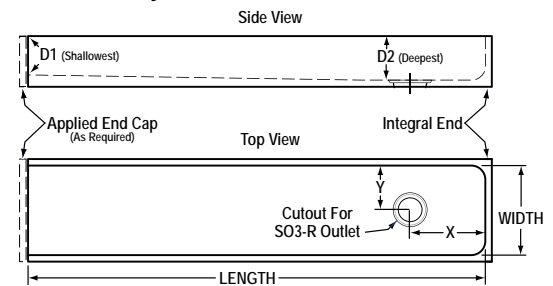


Troughs

Trough No.	Outlet	Wgt (lb)	Dimensions (in)					
			Inside			Outlet		
			Length	Width	Depth		X	Y
Two Section Open-End Troughs								
T3-1	As Required	48	72.0	3.9	3.8	4.5	N/A	N/A
T3-2	As Required	48	72.0	3.9	3.1	3.8	N/A	N/A
Three Section Open-End Troughs								
T1-1	As Required	48	72.0	6.6	3.8	4.5	N/A	N/A
T1-2	As Required	48	72.0	6.6	3.0	3.8	N/A	N/A
T1-3	As Required	48	72.0	6.6	2.3	3.0	N/A	N/A
DropIn Troughs								
DT36*	Off-Center	29	34.5	6.4	3.6	13.4	3.2	
DT48*	Off-Center	39	46.6	6.4	3.5	19.4	3.2	
Undermount Troughs								
UT-42*	Off-Center	38	40.5	6.6	4.6	20.8	3.3	
UT-52	Off-Center	55	51.0	9.0	4.3	30.3	4.5	
UT-53*	Off-Center	54	50.4	7.4	3.9	31.9	3.7	

* Available only from Taylor, TX plant (colors: Black Onyx, Gray, Graphite, Tan, Forest Green and Steel Blue).
 All Dimensions are nominal and may vary by manufacturing location. Cutsheets available upon request.

Dimensions Key



Trough Styles

