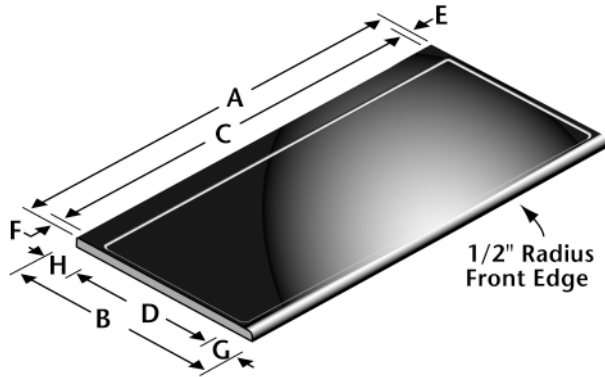




PRODUCT DIMENSIONS



Modular Contoura ControlTop Dimensions

Style No.	Dimensions (in)							
	Rail Thickness 1.0		Dish Thickness .75		Dish Depth .25			
	Outside		Dish		Rail Width			
	Length	Width	Length	Width	Left	Right	Front	Back
	A	B	C	D	E	F	G	H
479	47.6	25.6/23.6	46.3	22.2	0.7	0.7	0.9	2.8/0.8
480	59.5	25.6/23.6	58.1	22.2	0.7	0.7	0.9	2.8/0.8
481	71.3	25.6/23.6	69.9	22.2	0.7	0.7	0.9	2.8/0.8
497	29.9	31.5/29.5	28.6	28.0	0.7	0.7	0.9	2.8/0.8
482	47.6	31.5/29.5	46.3	28.0	0.7	0.7	0.9	2.8/0.8
483	59.5	31.5/29.5	58.1	28.0	0.7	0.7	0.9	2.8/0.8
484	71.3	31.5/29.5	69.9	28.0	0.7	0.7	0.9	2.8/0.8
498	89.0	31.5/29.5	87.7	28.0	0.7	0.7	0.9	2.8/0.8
Modular Island and Peninsula End Caps								
485	59.1	25.6	57.2	21.7	0.94	0.94	0.94	3.2
478*	59.1	29.5	57.2	28.8	0.94			1.2

*Half Circle Top

Please Note: Listed dimensions are typical values only. Variations within normal tolerances are possible. Durcon makes no warranty, express or implied that the results described herein will be obtained under end-use conditions.