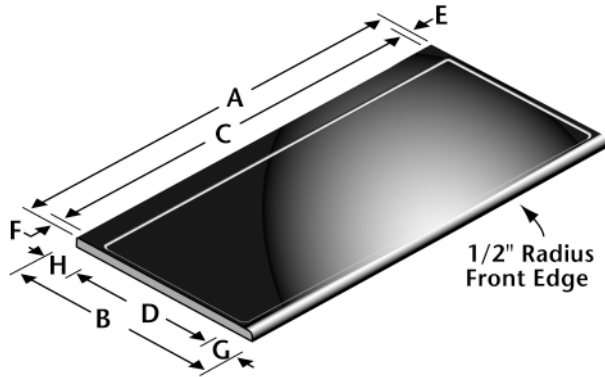




PRODUCT DIMENSIONS



Modular Contoura ControlTop Dimensions

Style No.	Dimensions (mm)							
	Rail Thickness 1.0		Dish Thickness .75		Dish Depth .25			
	Outside		Dish		Rail Width			
	Length	Width	Length	Width	Left	Right	Front	Back
A	B	C	D	E	F	G	H	
479	1210	650/600	1176	563	17	17	24	70/20
480	1510	650/600	1476	563	17	17	24	70/20
481	1810	650/600	1776	563	17	17	24	70/20
497	760	800/750	725	712	17	17	24	70/20
482	1210	800/750	1176	712	17	17	24	70/20
483	1510	800/750	1476	712	17	17	24	70/20
484	1810	800/750	1776	712	17	17	24	70/20
498	2260	800/750	1227	712	17	17	24	70/20

Modular Island and Peninsula End Caps

485	1500	650	1452	552	24	24	24	81
478*	1500	750	1452	696	24			30

*Half Circle Top

Please Note: Listed dimensions are typical values only. Variations within normal tolerances are possible. Durcon makes no warranty, express or implied that the results described herein will be obtained under end-use conditions.