



PRODUCT DIMENSIONS

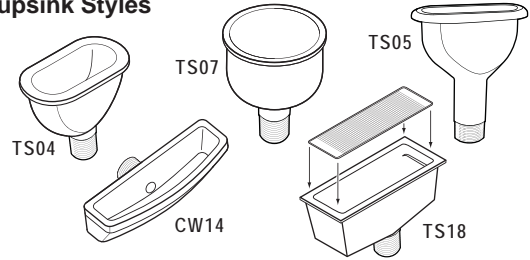
INTERNATIONAL SIZES

Cupsinks

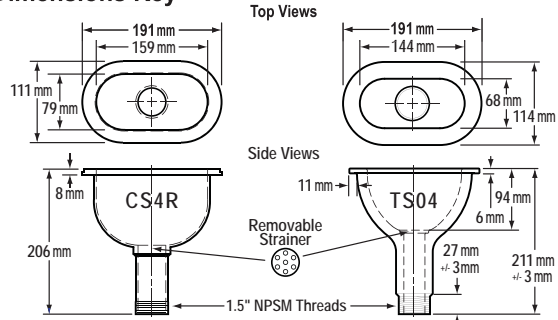
Cupsink No.	Shape	Color Availability						Dimensions (mm)				
		Black Onyx	Gray	Graphite	Forest Green	Steel Blue	Tan	Alpine White	Inside			Outside
									Length	Width	Depth	Height
Standard Polypropylene Cupsinks												
CS4R	Oval	✓	✓	—	—	—	✓	145	69	94	211	
Special Epoxy Resin Cupsinks												
TS04*	Oval	—	—	✓	✓	✓	✓	145	69	94	211	
TS05**	Oval	✓	✓	✓	✓	✓	✓	145	71	94	231	
TS12	Oval	✓	✓	✓	✓	✓	✓	224	69	147	254	
TS15*	Oval	✓	✓	✓	✓	✓	✓	274	76	135	244	
TS18***	Rectangle	✓	✓	✓	✓	✓	✓	345	112	137	251	
TS07	Round	✓	✓	✓	✓	✓	✓	152	152	152	290	
TS09*	Round	✓	✓	✓	✓	✓	✓	203	203	152	241	
WS14*	Wallmount	✓	✓	✓	✓	✓	✓	279	76	102	127	

* Available only from Taylor, TX plant.
 ** Raised Rim Cupsink for containing hazardous spills on the worksurface. Taylor, TX plant only.
 *** TS18 includes a #316 Monel Stainless Steel Screen.
 All Dimensions are nominal and may vary by manufacturing location. Cutsheets available upon request.

Cupsink Styles



Dimensions Key

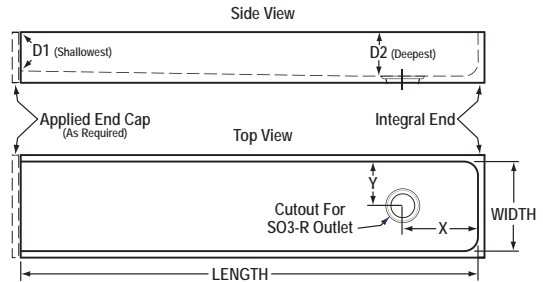


Troughs

Trough No.	Outlet	Wgt (kg)	Dimensions (mm)					
			Inside				Outlet	
			Length	Width	Depth		X	Y
D1	D2							
Two Section Open-End Troughs*								
T3-1	As Required	22	1829	98	95	114	N/A	N/A
T3-2	As Required	22	1829	98	78	95	N/A	N/A
Three Section Open-End Troughs*								
T1-1	As Required	22	1829	168	96	115	N/A	N/A
T1-2	As Required	22	1829	168	77	96	N/A	N/A
T1-3	As Required	22	1829	168	58	77	N/A	N/A
DropIn Troughs								
DT36	Off-Center	13	876	163	91	340	81	
DT48	Off-Center	18	1184	163	89	493	81	
Undermount Troughs								
UT-42	Off-Center	17	1029	168	118	528	84	
UT-52	Off-Center	25	1295	229	108	770	114	
UT-53	Off-Center	24	1280	194	99	810	94	

* Sectional Troughs ship in pieces for assembly at the job site. A separate undermount support (supplied by others) is required for each section.

Dimensions Key



Trough Styles

