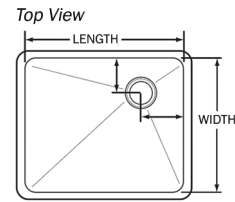
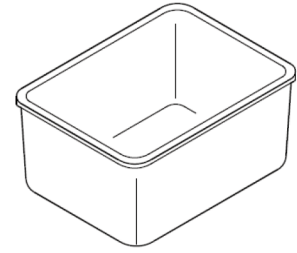


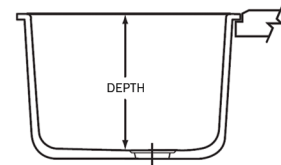
Durcon Epoxy | Sink List

DROP-IN SINKS

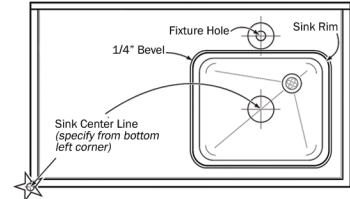
MODEL	LENGTH	WIDTH	HEIGHT	WEIGHT	CU FT	OUTLET	ADA
D01C	9	6	6	8	0.19	Center	
D03C	12	8	6	17	0.33	Center	
A05	14	10	5	20	0.41	Corner	Yes
D05	14	10	6	25	0.49	Corner	
D05C	14	10	6	24	0.49	Center	
D06C	12	12	12	34	1.00	Center	
A07	14	14	5	28	0.57	Corner	Yes
D10C	16	8	7	22	0.52	Center	
D10E	16	8	7	24	0.52	End	
DRS10	11.56	11.56	8.625	16	0.67	Center	
DRS12	13.56	13.56	8.8	18	0.94	Center	
D15	16	12	8	32	0.89	Corner	
D15C	16	12	8	35	0.89	Center	
A18R	18	18	5"/11"	55	2.06	Corner	Yes
D18R	18	18	12.88	75	2.42	Corner	
D19	16	16	9.6	42	1.42	Corner	
D20	16	16	7.5	44	1.11	Corner	
D21	16	16	15	60	2.22	Corner	
D22C	18	6.5	6	20	0.41	Center	
D24C	18	14	10.5	50	1.53	Center	
A25	18	15	5	35	0.78	Corner	Yes
A25M	18	15	2.5	37	0.39	Corner	Yes
D25	18	15	8	45	1.25	Corner	
A26	18	15	5"/11"	40	1.72	Corner	Yes
D30	18	15	11	58	1.72	Corner	
D30C	18	15	11	52	1.72	Center	
D30D	36	15	11	115	3.44	Corner	
D32	18	15	16	51	2.50	Corner	
D33	21	17	9.7	59	2.00	Corner	
D33E	21	17	9.7	58	2.00	End	
DT36	34.5	6.38	3.5	27	0.45	Corner	
D45	21.5	15.5	11	61	2.12	Corner	
DT48	46.5	6.38	3.5	44	0.60	Corner	
D50C	24	16	8	53	1.78	Center	
D51	24	16	9.6	61	2.13	Corner	
D52	24	18	11	70	2.75	Corner	
A55	25	15	5	51	1.09	Corner	Yes
D55	25	15	10	45	2.17	Corner	
A56	25	15	5"/11"	50	2.39	Corner	Yes
D57	25	15	13.6	80	2.95	Corner	
D58	25	15	17.8	79	3.86	Corner	
D59	28	15	11.5	50	2.80	Corner	
D61	30	16	17.8	92	4.94	Corner	
D65C	35.5	19.5	9.8	90	3.93	Center	
D68E	30	16	10	120	2.78	End	
D70C	24	16	15.5	80	3.44	Center	
D78C	36	18	12	94	4.50	Center	
DH20C	27.78	27.78	8	78	3.57	Center	



Side View



Top View - Sink in worksurface



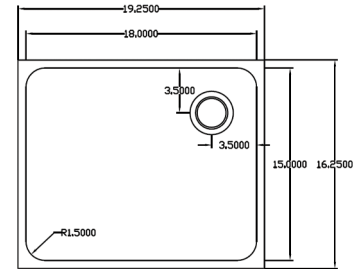
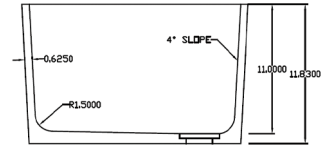
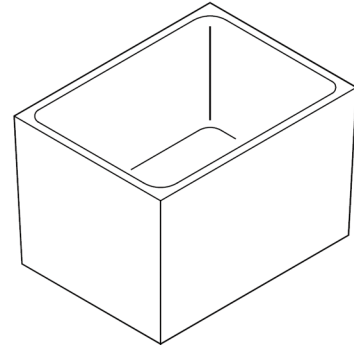
Click the linked Sink model numbers to view individual shop drawing PDFs.

Highlight indicates popular models.

Durcon Epoxy | Sink List

UNDERMOUNT SINKS

MODEL	LENGTH	WIDTH	HEIGHT	WEIGHT	CU FT	OUTLET
U03C	12	8	6	17	0.33	Center
U05C	14	10	6	22	0.49	Center
U10E	16	8	7	22	0.52	End
U15C	16	12	8	35	0.89	Center
U20	16	16	7.5	28	1.11	Corner
U24C	18	14	10.5	55	1.53	Center
U25	18	15	8	40	1.25	Corner
U30	18	15	11	49	1.72	Corner
U30C	18	15	11	49	1.72	Center
U33C	21	17	10	64	2.07	Center
U33E	21	17	10	67	2.07	End
U45	21.5	15.5	11	52	2.12	Corner
U50C	24	16	8	55	1.78	Center
U50E	24	16	8	60	1.78	End
U51E	24	16	10	60	2.22	End
U52E	23.6	17.6	10.8	74	2.60	End
U53E	24.4	18.4	16.8	123	4.36	End
U54	23	21	19	96	5.31	Corner
U55	25	15	10	66	2.17	Corner
U56C	24	16	12	68	2.67	Center
U59E	28	15	12	85	2.92	End
U60E	28	20	8.8	83	2.85	End
U61C	30	18	18	90	5.63	Center
U63E	31	17	10	84	3.05	End
U64C	31	21	12	95	4.52	Center
U65C	35.5	19.6	10	115	4.03	Center
U67C	36	20	16	195	6.67	Center
U71C	43	15	11	108	4.11	Center
U73	38	21	19.1	155	8.82	Corner
U75C	42	20	10	126	4.86	Center



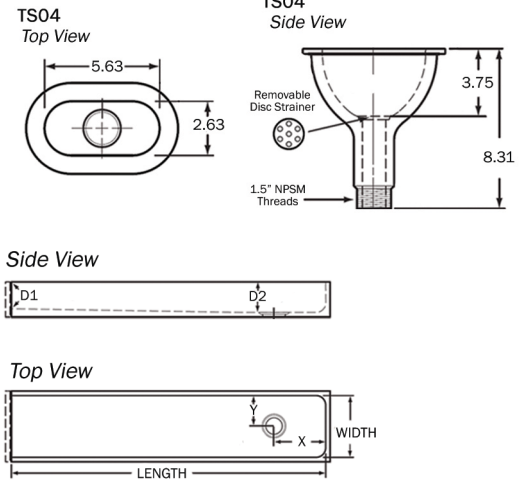
Click the linked Sink model numbers to view individual shop drawing PDFs.

Highlight indicates popular models.

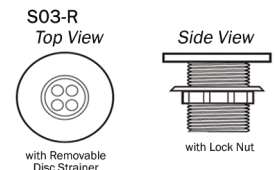
Durcon Epoxy | Sink List

ACCESSORIES & PEGBOARDS

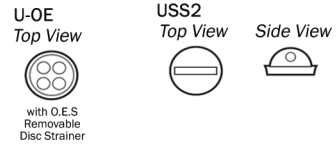
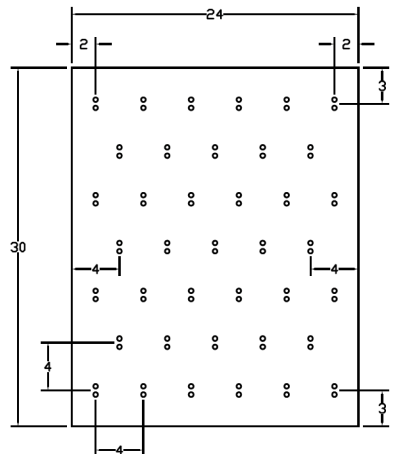
MODEL	LENGTH	WIDTH	HEIGHT	WEIGHT	CU FT	OUTLET
TS04	5.68	2.68	8.3	3	0.07	Oval
TS07	6.3	6.3	11	3	0.25	Round
TS09	8	8	9.5	3.5	0.35	Round
TS12	8.81	2.68	10	4.8	0.14	Oval
TS15	10.81	3	9.62	4	0.18	Oval
TS18	13.56	4.38	9.93	5.2	0.34	Rectangle
E46	23.5	15	17.13	74	3.49	Front
E47	23.5	15	19.13	77	3.90	Front
E48	23.5	15	13.38	75	2.73	Front
T1S1	72.81	7.88	4.54	61	1.51	
T1S2	72	7.88	3.79	53	1.24	
T1S3	72.81	7.88	3.04	45	1.01	
T2S1	72	5.25	4.5	49	0.98	
T2S2	72	5.25	3.75	44	0.82	
T5194	51	4.88	9	34	1.30	



MODEL	MATERIAL	DESCRIPTION	INSIDE	OUTSIDE	LENGTH	COLORS
S03-R	Polypropylene	Sink Outlet	1.4	3.3	3	Black, Gray, White
USS2	Polypropylene	Sink Stopper	-	1.4	-	Black
U-OE	Polypropylene	Open End Overflow	-	1.4	4,6,8,10	Black
O.E.S.	Polypropylene	U-OE Strainer Cap	-	1.4	-	Black
S03	Epoxy Resin	Sink Outlet	1.4	3.3	3	All except Black



MODEL	HEIGHT	WIDTH	PEG CT
PB1824	18	24	21
PB1830	18	30	25
PB1836	18	36	28
PB2030	20	30	32
PB2036	20	36	41
PB2424	24	24	28
PB2430	24	30	39
PB2436	24	36	44
PB3024	30	24	39
PB3030	30	30	46
PB3036	30	36	56
PB3224	32	24	45
PB3230	32	30	53
PB3624	36	24	51
PB3630	36	30	60
PB3636	36	36	68
PB4230	42	30	67
PB4830	48	30	81
PB4836	48	36	104
PB4848	48	48	127



Click the linked model numbers to view individual shop drawing PDFs.

Pegboards available in Epoxy and SPC-CR material.

PEG	DETAILS
Length	5.0", 8.0"
Diameter	0.5"
Material	Polypropylene
Colors	White